

Fluid control valve(2/2 way)

2KW Series (Internally piloted and normally opened)



Specification

Type\Item	Port size①	Orifice size (Φmm)	Cv	Valid area or section(mm ²)	Weight ②(g)	Max. operating pressure differential		Proof pressure	
						MPa	psi	MPa	psi
2KW150-15	1/2"	15.0	5.50	100.0	730	Max:0.7 Min:0.05	Max:100 Min:10	1.5	220
2KW200-20	3/4"	20.0	9.50	170.0	960				
2KW250-25	1"	25.0	12.50	220.0	1210				

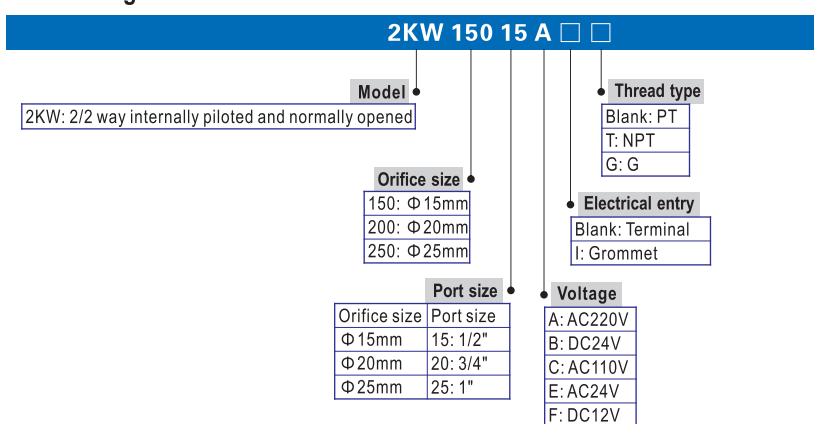
① PT thread, NPT thread and G thread are available.

② The weight in the table is the terminal valve's weight, grommet valve's weight is 10g less than terminal's.

Specification of coil

Valve type	Coil type	Power type	Frequency (Hz)	Voltage range	Electrical entry	Power Consumption (VA/W)	Insulation	Temp. rise(°C)
2KW150 2KW200 2KW250	CDA116 CLA116	AC	50	± 15%	Terminal (CDA)	15.0VA	Class B	50
			60		Grommet (CLA)	11.0VA		40
		DC	-	± 10%		6.5W		30

Ordering code



Ordering code of accessories

Ordering code of accessories is the same as 2S series valve's, Please refer to P98 for details of ordering code.

Symbol



Product feature

1. Indirect acting (Internal pilot) and normally opened type 2/2 way solenoid valve. Its can change direction quickly and has large flow.
2. It is compact, small and light weight. It is easy to install and dismantle;
3. The valve body is made of brass. The coil has a Heat resistance classification of Class B. The standard seal material is FPM-F. Please contact us if other material are required.
4. The protection class of the coil is IP65 and there is a choice for grommet or terminal electrical entry.

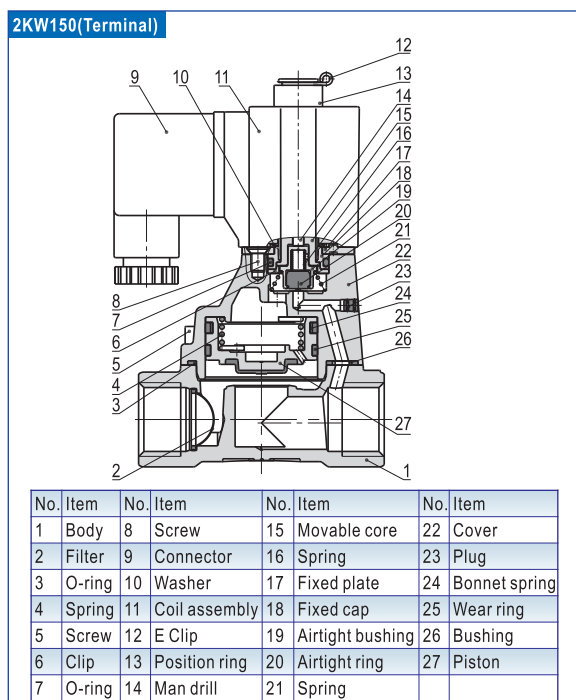
Valve's specification

Acting	Internally piloted				
Initial stats	Normally opened				
Adaptable fluid ①	Air, Water, Oil				
Viscosity limit	Under 20CST				
Ambient and fluid temperature(°C)		Water	Air	Oil	Ambient
	Max.	80	90	80	70
	Min.	1	-20 ②	-10 ③	-20

① Note: Please refer to P121 for detail of other's fluid.

② Note: Dew point: -20(°C) or less. ③ Note: 50CST or less.

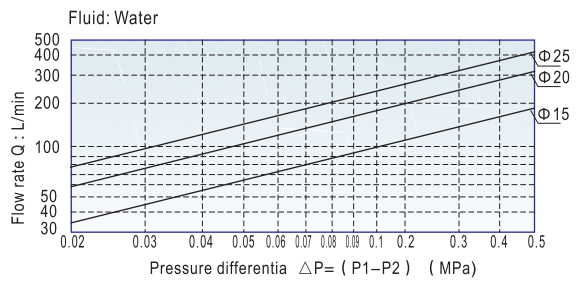
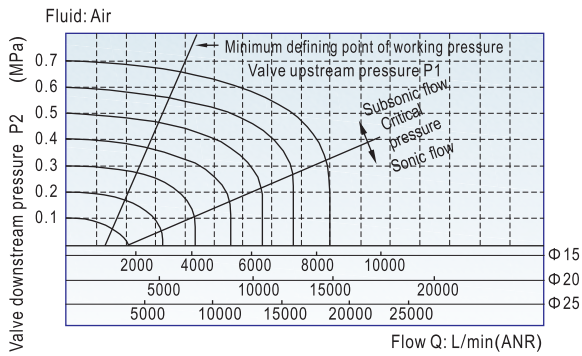
Inner structure



Fluid control valve(2/2 way)

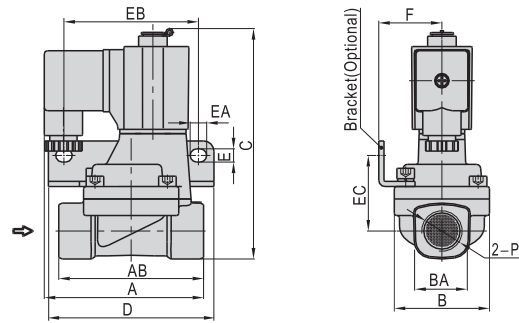
2KW Series (Internally piloted and normally opened)

Flow chart



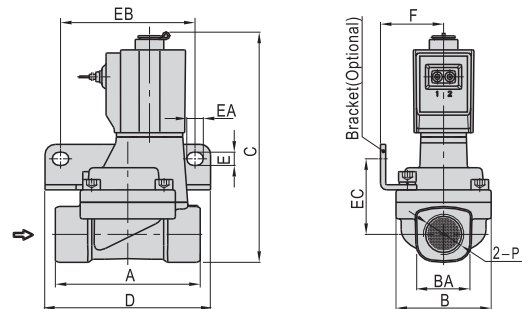
Dimensions

Terminal



Type\Item	A	AB	B	BA	C	D	E	EA	EB	EC	F	P
2KW150-15	77	70	46	27.5	112.5	80	6.4	8	65	36.5	30.5	1/2"
2KW200-20	78.5	82	53	33.5	121	90	6.4	8	75	40	34	3/4"
2KW250-25	81	92	59	40.5	129.5	95	6.4	8	80	44.5	36	1"

Grommet



Type\Item	A	B	BA	C	D	E	EA	EB	EC	F	P
2KW150-15	70	46	27.5	112.5	80	6.4	8	65	36.5	30.5	1/2"
2KW200-20	82	53	33.5	121	90	6.4	8	75	40	34	3/4"
2KW250-25	92	59	40.5	129.5	95	6.4	8	80	44.5	36	1"



2KW